


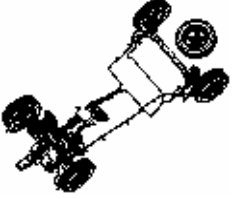



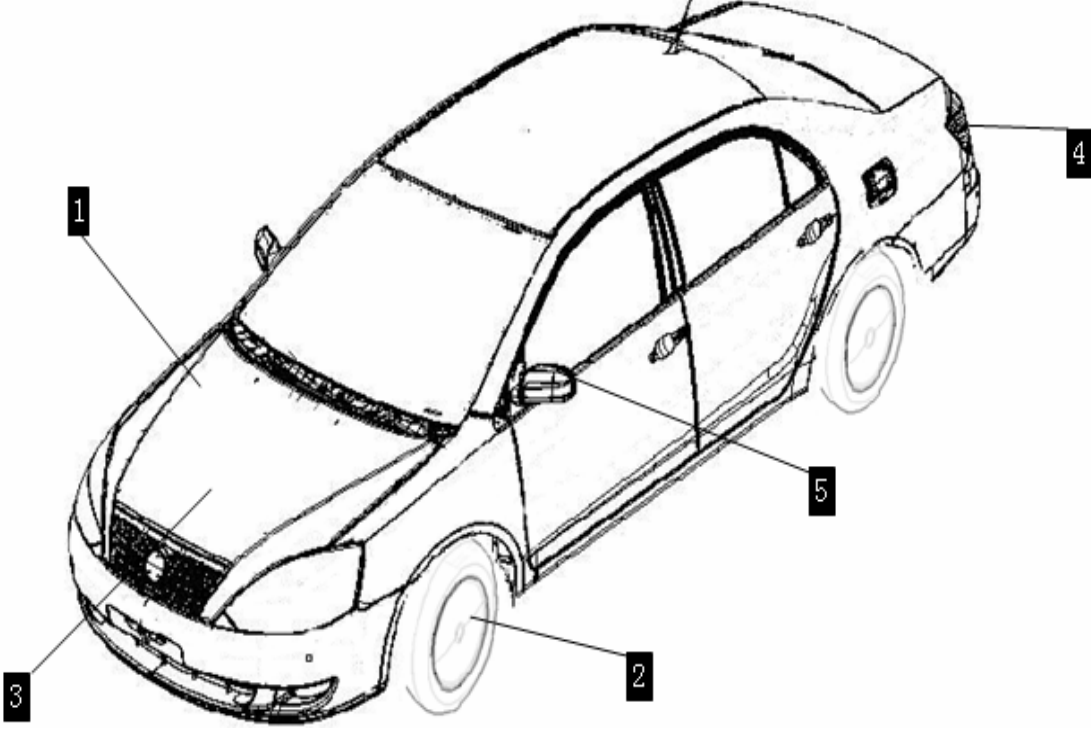
**GEELY**

# **PARTS CATALOG**

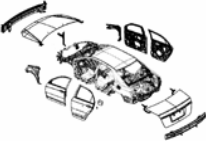



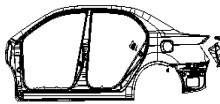
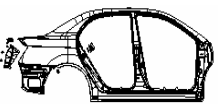
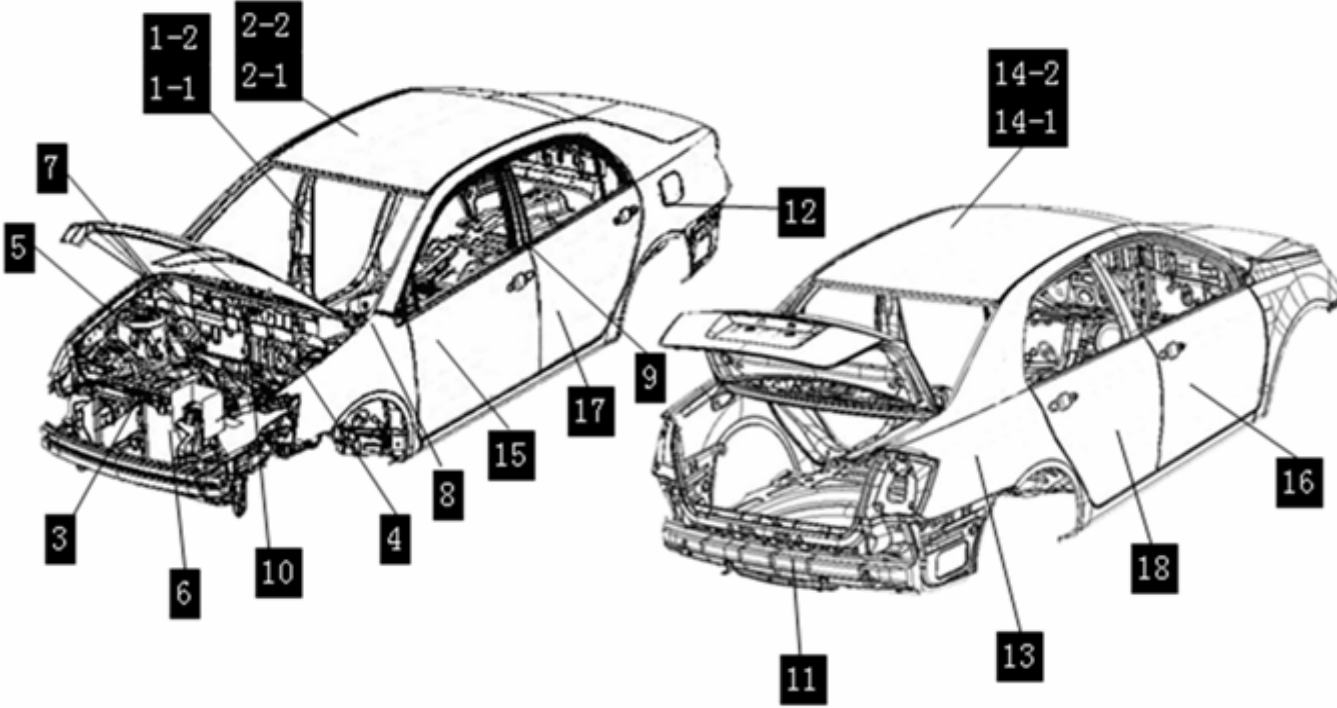

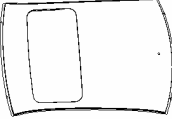
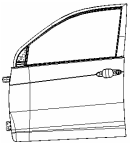
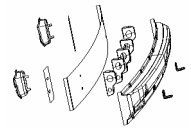
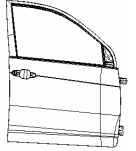
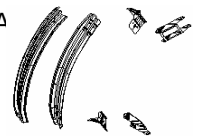
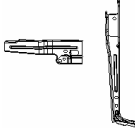
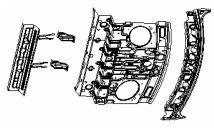


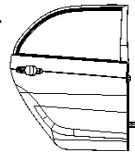
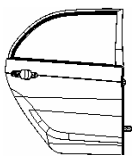


November 2008




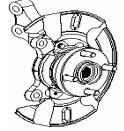


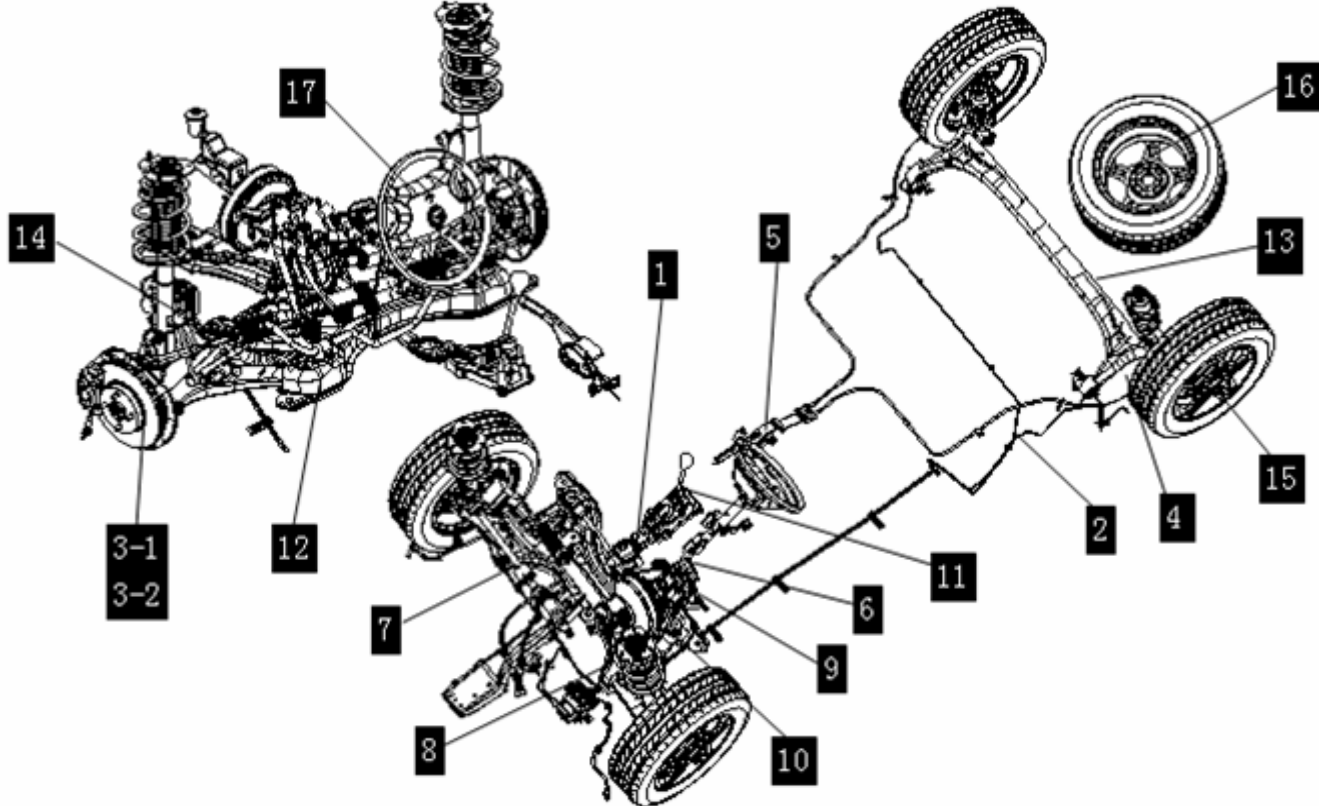











# PICTURE INDEX

PICTURE INDEX	BODY PART	CHASSIS PART	POWER PART	ELETRICITY PART	TRIM PART	
	 1	 2	 3	 4	 5	
						

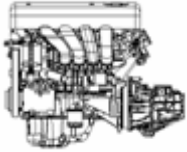



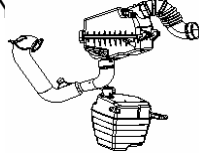
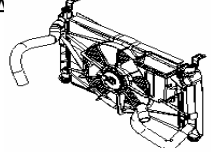
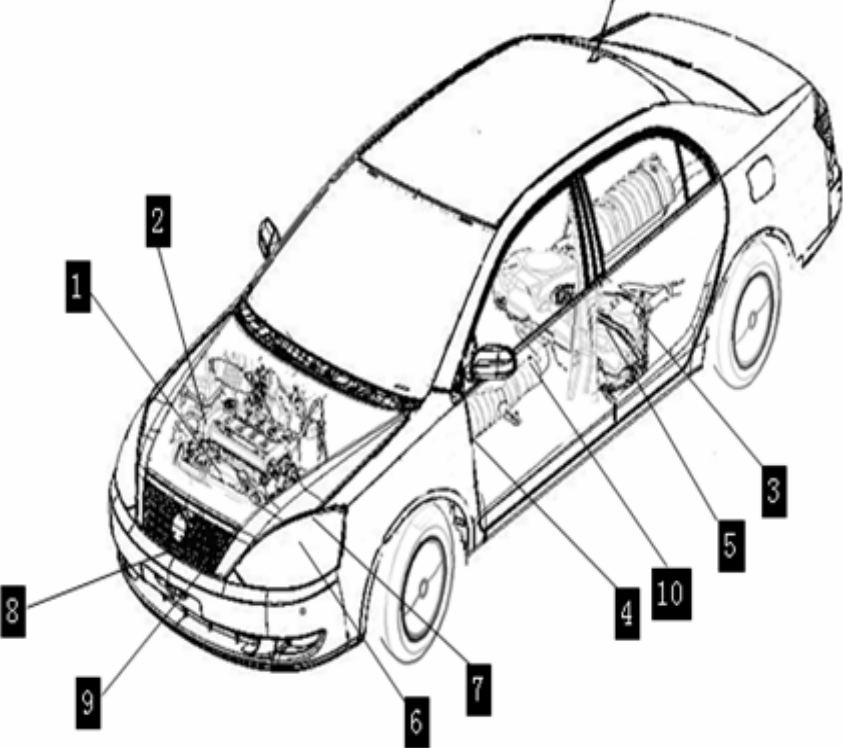
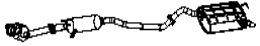
# PICTURE INDEX

<p style="text-align: center;"><b>2000 BODY PART</b></p>	<p>2010 BODY ASSY.  1-1</p>	<p>2020 FRAME ASSY.  2-1</p>	<p>2030 ENGINE COMPARTMENT  3</p>	<p>2040 RADIATOR ASSY.  6</p>	<p>2050 LEFT WALL ASSY.  12</p>	<p>2060 RIGHT WALL ASSY.  13</p>
						<p>2070 COPING ASSY.  14-1</p>
						<p>2080 COPING ASSY.(SUNROOF)  14-2</p>
						<p>2090 LF DOOR ASSY.  15</p>
<p>2180 REAR BUMPER FRAME ASSY.  2</p>						<p>2100 FR DOOR ASSY.  16</p>
<p>2170 FRONT BUMPER FRAME A  2</p>	<p>2160 RADIATOR BRACKET ASSY.  21</p>	<p>2150 TRUNK MAIN COVER ASSY.  20</p>	<p>2140 TRUNK COVER ASSY.  19</p>	<p>2130 ENGINE HOOD ASSY.  18</p>	<p>2120 RR DOOR ASSY.  18</p>	<p>2110 LR DOOR ASSY.  17</p>








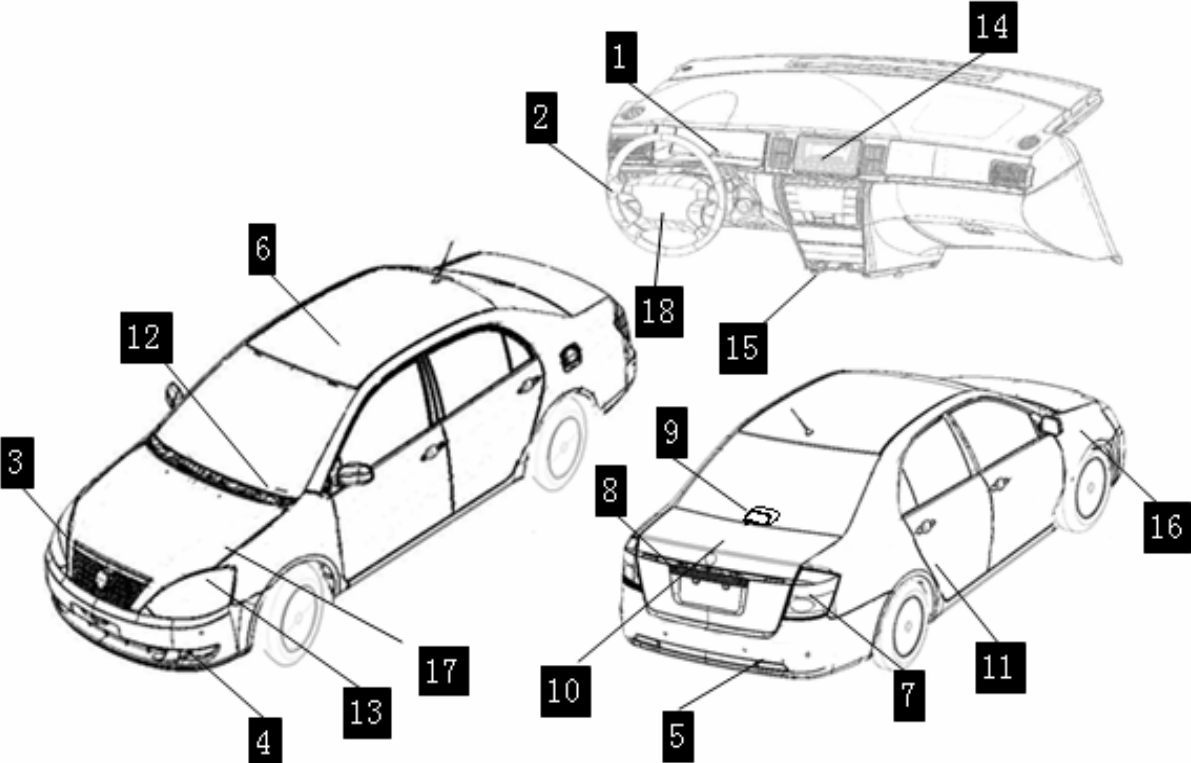









# PICTURE INDEX

<p><b>4000 CHASSIS PART</b></p>	<p>4010 BRAKE FOOTPLATE ASSY.</p>  <p style="text-align: right;"><b>1</b></p>	<p>4020 BRAKE LINE ASSY.</p>  <p style="text-align: right;"><b>2</b></p>	<p>4030 STEERING KNUCKLE ASSY.</p>  <p style="text-align: right;"><b>3-1</b></p>	<p>4040 FRONT WHEEL HUB ASSY.</p>  <p style="text-align: right;"><b>3-2</b></p>	<p>4050 REAR WHEEL HUB ASSY.</p>  <p style="text-align: right;"><b>4</b></p>	<p>4060 PARK BRAKE ASSY.</p>  <p style="text-align: right;"><b>5</b></p>
						<p>4070 STEERING DRIVE ASSY.</p>  <p style="text-align: right;"><b>6</b></p>
						<p>4080 EPS ASSY.</p>  <p style="text-align: right;"><b>7</b></p>
						<p>4090 EPS PIPELINE ASSY.</p>  <p style="text-align: right;"><b>8</b></p>
						<p>4100 FOOTPLATE ASSY.</p>  <p style="text-align: right;"><b>9</b></p>
<p>4180 STEERING WHEEL ASSY.</p>  <p style="text-align: right;"><b>17</b></p>	<p>4160 WHEEL ASSY.</p>  <p style="text-align: right;"><b>15</b></p>	<p>4150 DRIVE SHAFT ASSY.</p>  <p style="text-align: right;"><b>14</b></p>	<p>4140 REAR SUSPENSION ASSY.</p>  <p style="text-align: right;"><b>13</b></p>	<p>4130 FRONT SUSPENSION ASSY.</p>  <p style="text-align: right;"><b>12</b></p>	<p>4120 GEARSHIFT CONTROL ASSY.</p>  <p style="text-align: right;"><b>11</b></p>	<p>4110 CLUTCH CONTROL ASSY.</p>  <p style="text-align: right;"><b>10</b></p>

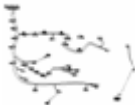
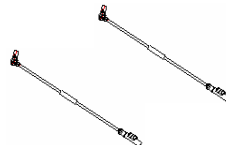


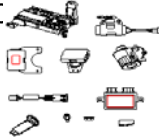

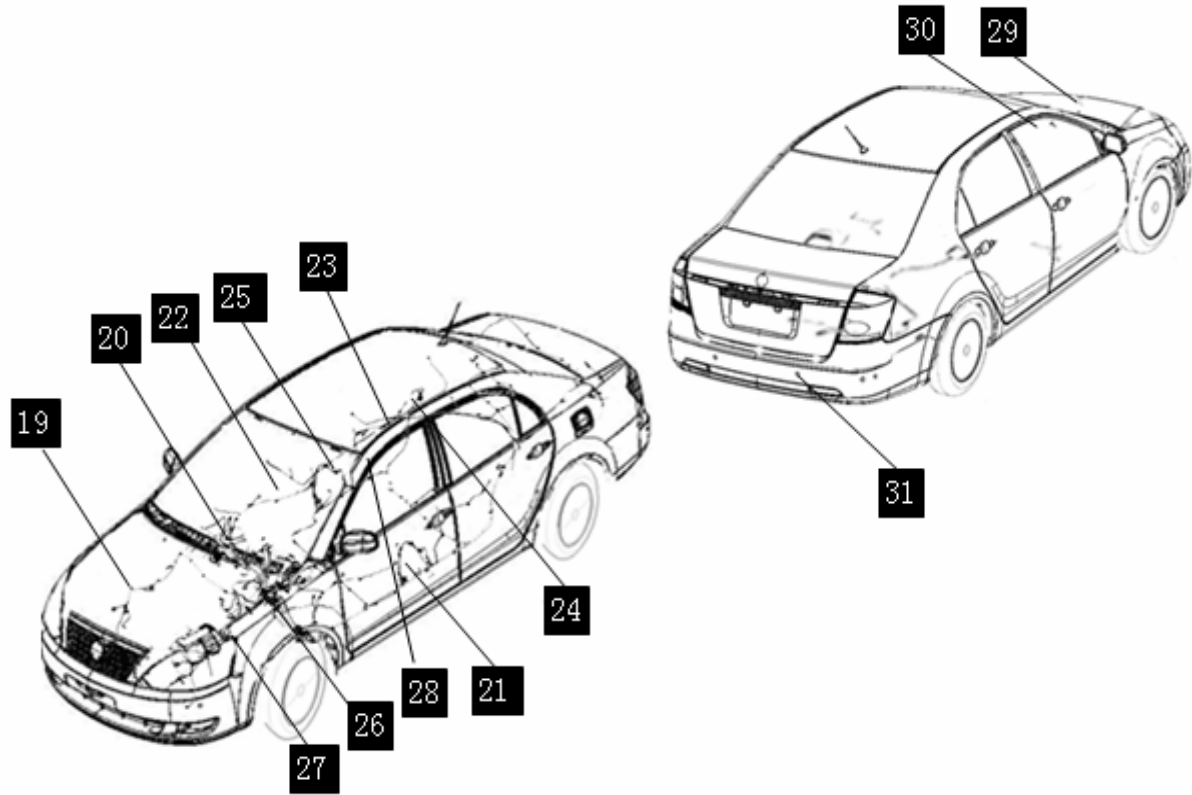


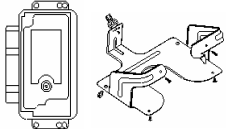
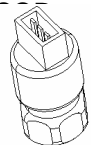
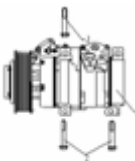

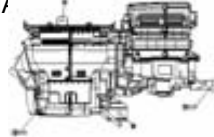

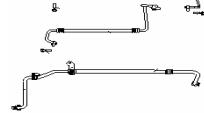

# PICTURE INDEX

<b>6000 POWER PART</b>	<p>6010 ENGINE ASSY.</p>  <p style="text-align: right;"><b>1</b></p>	<p>6020 ENGINE MOUNTING ASSY.</p>  <p style="text-align: right;"><b>2</b></p>	<p>6030 GASOLINE TANK DEVICE</p>  <p style="text-align: right;"><b>3</b></p>	<p>6040 FUEL LINE ASSY.</p>  <p style="text-align: right;"><b>4</b></p>	<p>6050 INTAKE S<sup>Y</sup></p>  <p style="text-align: right;"><b>6</b></p>	<p>6080 COOLING A</p>  <p style="text-align: right;"><b>8</b></p>
						<p>6100 EXHAUST SYSTEM</p>  <p style="text-align: right;"><b>10</b></p>

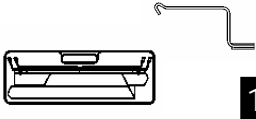
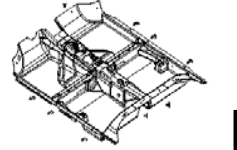
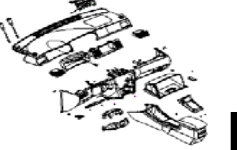


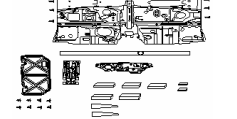
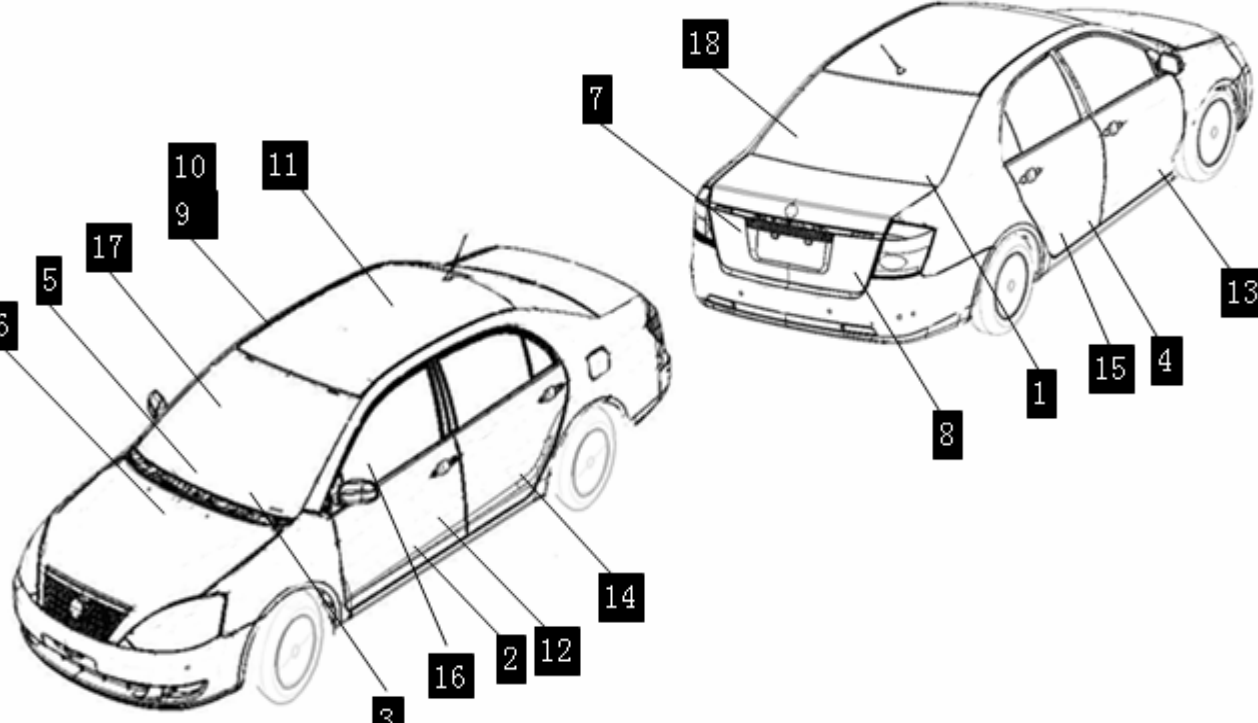
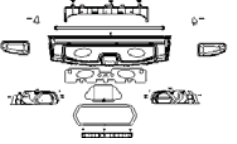
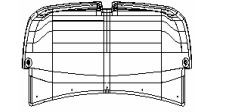
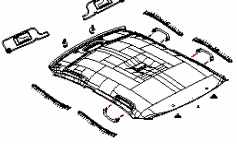

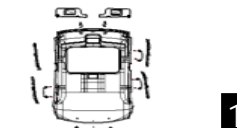



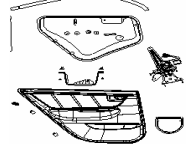


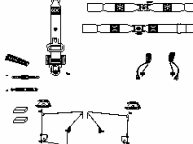
# PICTURE INDEX

<p><b>7000 ELETRICITY PART</b></p>	<p>7010 COMBINATION METER</p>  <p>1</p>	<p>7020 ELETRICITY SWITCH</p>  <p>2</p>	<p>7030 FRONT LAMP ASSY.</p>  <p>3</p>	<p>7040 FRONT FOGLIGHT ASSY.</p>  <p>4</p>	<p>7050 REAR FOGLIGHT ASSY.</p>  <p>5</p>	<p>7060 INTERIOR DOME LAMP</p>  <p>6</p>
<p>7210 DOOR WIRING HARNESS ASSY.</p>  <p>21</p>						<p>7070 REAR LAMP ASSY.</p>  <p>7</p>
<p>7200 I/P WIRING HARNESS ASSY.</p>  <p>20</p>						<p>7080 LICENSE PLATE LAMP</p>  <p>8</p>
<p>7190 WIRING HARNESS ASSY.</p>  <p>19</p>						<p>7090 HIGH-MOUNTED BRAKE LAMP</p>  <p>9</p>
<p>7180 SRS</p>  <p>18</p>						<p>7100 TRUNK LAMP</p>  <p>10</p>
<p>7170 BATTERY &amp; BRACKET ASSY.</p>  <p>17</p>						<p>7160 HORN ASSY.</p>  <p>16</p>

# PICTURE INDEX

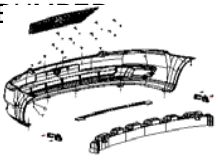
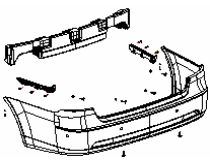

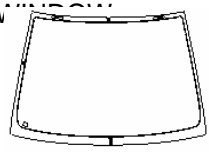

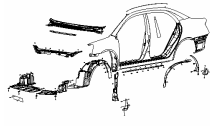
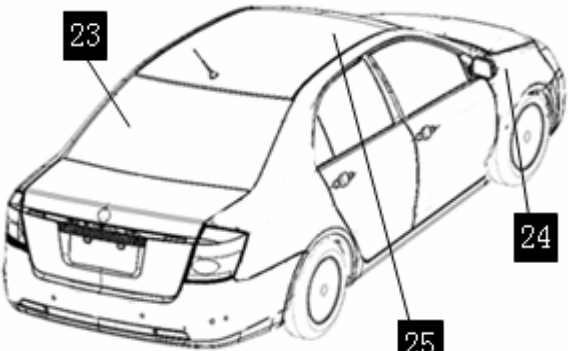



<p><b>7000 ELETRIC PART</b></p>	<p>7220 REAR WIRING ASSY.</p>  <p style="text-align: right;"><b>24</b></p>	<p>7230 ABS ELETRIC</p>  <p style="text-align: right;"><b>26</b></p>	<p>7240 STARTER WIRE ASSY.</p>  <p style="text-align: right;"><b>27</b></p>	<p>7250 FUSE BOX</p>  <p style="text-align: right;"><b>29</b></p>	<p>7260 BODY CC</p>  <p style="text-align: right;"><b>30</b></p>	<p>7270PARK BRAKE AND RADAR</p>  <p style="text-align: right;"><b>31</b></p>
						<p>7280 START ASSY.</p> 
						<p>7290 ENGINE V</p> 
						<p>7300 ENINGNE ECU</p> 
						<p>7310 SPEED SEN</p> 
<p>7410 COMPRESSOR ASSY.</p> 	<p>7400 A/C MAINFRAME ASSY.</p> 	<p>7390 A/C M/</p> 	<p>7380 CONDENSER</p> 	<p>7370 A/C PIPELINE SYSTEM</p> 	<p>7360 A/C CONTROL SYSTEM</p> 	

# PICTURE INDEX

<p><b>8000 TRIM PART- INTERIOR TRIM</b></p>	<p>8010 TOOLS AND ACCESSORY</p>  <p>1</p>	<p>8020 FLOOR TRIM</p>  <p>2</p>	<p>8030 PANEL ASSY.</p>  <p>3</p>	<p>8040 SIDE WALL</p>  <p>4</p>	<p>8050 PANEL FRAME ASSY.</p>  <p>5</p>	<p>8060 SOUND &amp; HEAT INSULATION</p>  <p>6</p>
						<p>8070 TRUNK TRIM</p>  <p>7</p>
						<p>8080 TRUNK COVER TRIM</p>  <p>8</p>
						<p>8090 TOP TRIM</p>  <p>9</p>
<p>8180 REAR SEAT</p>  <p>18</p>						<p>8100 COPING TRIM (ROOF)</p>  <p>10</p>
<p>8170 FRONT SEAT</p>  <p>17</p>	<p>8160 DRIVER SEAT</p>  <p>16</p>	<p>8150 RR DOOR TRIM</p>  <p>15</p>	<p>8140 LR DOOR TRIM</p>  <p>14</p>	<p>8130 RF DOOR TRIM</p>  <p>13</p>	<p>8120 LF DOOR TRIM</p>  <p>12</p>	<p>8110 SAFETY BELT</p>  <p>11</p>



# PICTURE INDEX

<p><b>8000 TRIM PART-EXTERIOR TRIM</b></p>	<p>8190 FRONT</p>  <p>19</p>	<p>8200 REAR BUMPER</p>  <p>20</p>	<p>8210 MANY PLATE</p>  <p>21</p>	<p>8220 FRONT WINDOW</p>  <p>22</p>	<p>8230 REAR WINDOW</p>  <p>23</p>	<p>8240 TRIM AND ACCESSORY</p>  <p>24</p>
						<p>8250 SUNROOF FIXING</p>  <p>25</p>
						<p>8260 ENGINE COVER</p>  <p>2</p>
						<p>8270 KEY</p>  <p>27</p>